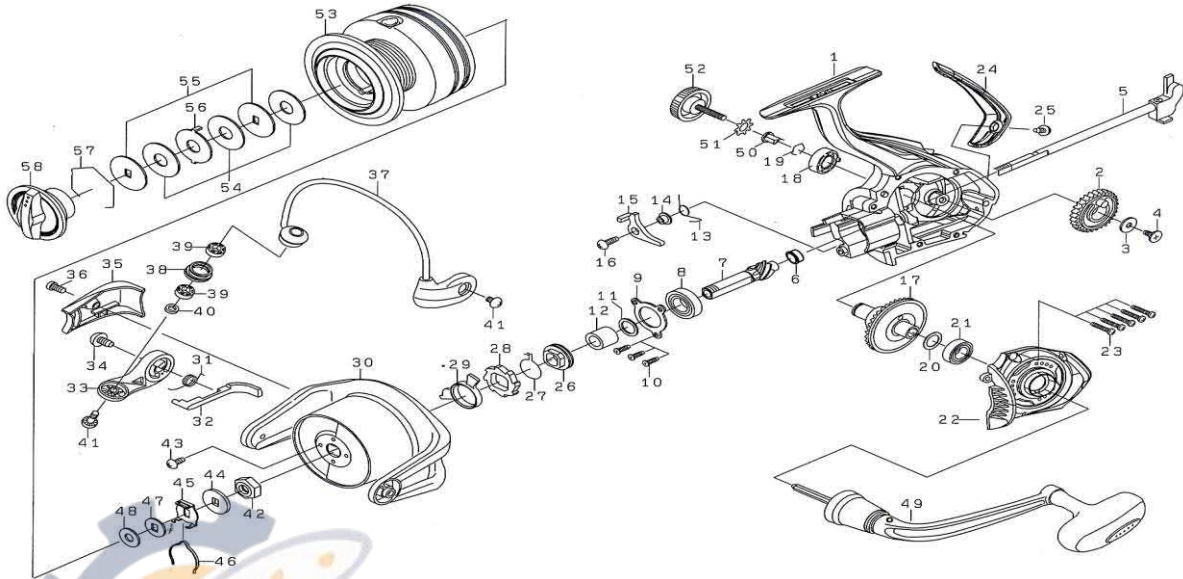


DAWA

SPINNING REEL

Please order by parts number, not key number
Veuillez indiquer le numéro de la pièce (Non "Key" No.)

SWF4500-5000-2B



Key No.	Part No.	Part Name	Key No.	Part No.	Part Name
1	Q18-7901	BODY	32	H17-3401	BAIL TRIP LEVER
2	Q18-8001	OSCILLATING GEAR	33	H17-3502	BAIL ARM
3	F95-6700	WASHER (A)	34	G45-5601	SCREW (F)
4	Q18-8201	SCREW (A)	35	H17-3601	COVER
5	Q18-8301	MAIN SHAFT	36	G20-5101	SCREW (G)
6	Q18-8501	COLLAR (A)	37	H19-1601	BAIL ASSEMBLY
7	Q18-8601	PINION GEAR	38	G74-0405	LINE ROLLER
8	Q19-3101	BALL BEARING (A)	39	H19-4701	COLLAR (C)
9	H17-2601	BEARING RETAINER (A)	40	H04-9901	COLLAR (D)
10	G83-7101	SCREW (B)	41	F60-8901	SCREW (H)
11	G10-6501	WASHER (B)	42	H49-5901	ROTOR NUT
12	Q19-2701	SPACING SLEEVE	43	G62-7701	SCREW (I)
13	H17-1201	ANTI-REVERSE PAWL SPRING	44	F04-9901	WASHER (D)
14	H19-1101	COLLAR (B)	45	H17-4201	CLICK LEAF SPRING HOLDER
15	H17-1301	ANTI-REVERSE PAWL	46	F70-4902	SPOOL CLICK LEAF SPRING
16	H17-1401	SCREW (C)	47	F05-0002	WASHER (E)
17	H17-2802	DRIVE GEAR	48	F05-0100	WASHER (F)
18	H18-5201	BEARING	49	Q18-9101	HANDLE ASSEMBLY
19	H04-7201	BEARING RETAINER (B)	50	F40-9001	COLLAR (E)
20	371-2800	WASHER (C)	51	160-8101	TOOTHED WASHER
21	H73-5002	BALL BEARING (B)	52	Q18-9301	HANDLE SCREW
22	Q18-8901	SIDE COVER	53-57	Q18-9801	SPOOL ASSEMBLY
23	G41-0701	SCREW (D)	54	F75-5504	DRAG WASHER
24	Q18-9001	REAR COVER	55	H17-5101	KEY WASHER
25	G27-0801	SCREW (E)	56	F75-5701	EARED WASHER
26	H17-3101	ANTI-REVERSE SPRING HOLDER	57	F88-4001	DRAG WASHER RETAINER
27	G09-1301	ANTI-REVERSE SPRING	58	Q19-3001	DRAG KNOB
28	280-9501	ANTI-REVERSE RATCHET			
29	H17-3201	ANTI-REVERSE PAWL COLLAR			
30	H17-3311	ROTOR			
31	F60-8001	BAIL SPRING			
			Key No.	Part No.	Part Name
			53-57	Q18-9501	SPOOL ASSEMBLY

SWF5000-2B SPECIAL PARTS

Key No.	Part No.	Part Name
53-57	Q18-9501	SPOOL ASSEMBLY